

PORTABLE ALUMINUM GANTRY CRANES

LIGHTWEIGHT, DEPENDABLE, DURABLE LIFTING SOLUTIONS



CAPACITIES UP TO 4000 LBS
SPANS UP TO 20'
www.mettrack.com

ALULIFT[®]
PORTABLE LIFTING

PORTABLE ALUMINUM GANTRY CRANES

FEATURES & OPTIONS

ALU-LIFT® **PORTABLE ALUMINUM GANTRIES**

The ultimate in lightweight construction for ease of portability. These gantries are ideal when you require constant assembly or disassembly, such as by site personnel or for a remote/difficult location.

A range of over 51 models allow for capacities from 1000lbs to 4000lb, with spans up to 20'.

The ALU-LIFT® is simple to set up and break down and has features which minimize the space required for storage and transportation. Each system comes complete with a load trolley for a simple all in one solution.

For those where the standard product does not quite fit their application, we are committed to being able to review clients' needs in greater detail and develop custom solutions to meet client exact requirements.



CAPACITIES UP TO 4000 LBS
SPANS UP TO 20'
www.mettrack.com

FEATURES

- Lifting CAPACITY from 1000lb to 4000lb
- LIGHTWEIGHT complete model starting at just over 100lb
- Designed to be PORTABLE with simple locking pins that make assembly and disassembly easy
- CARRY HANDLES and FOLDING LEGS makes TRANSPORTATION easy
- 360° SWIVEL Locking Castors as standard
- HOIST TROLLEY included with each model*
- Six LOCKING PINS offer the disassembly into FIVE unique sections.

OPTIONAL ACCESSORIES

- Winch Kit
- Securing Chains reduces the risk of losing the pins during assembly and disassembly
- Leveling Feet – for secure footing on uneven ground
- Festoon Kits (for use with electric hoists)

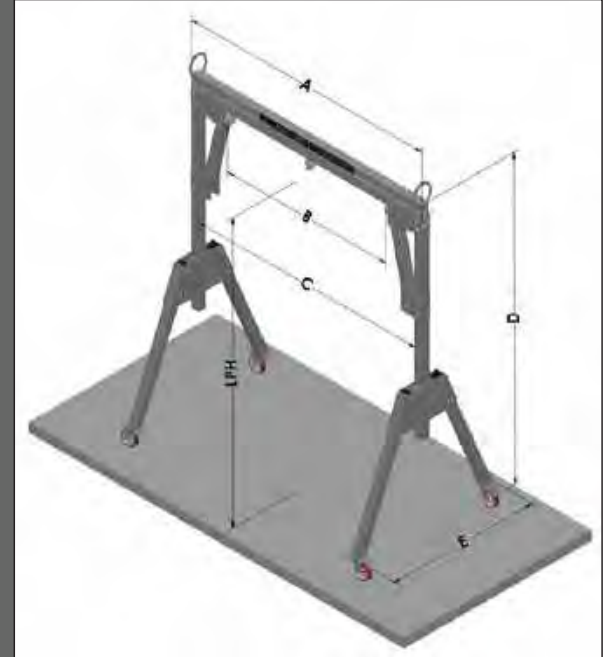
*Hoist Supplied by others

LIGHTWEIGHT, DEPENDABLE, DURABLE LIFTING SOLUTIONS

PORTABLE ALUMINUM GANTRY CRANES

CAPACITY CHART

CAPACITY (lbs)	BEAM LENGTH (ft)	MODEL NUMBER	CLEAR SPAN (C)	TROLLEY TRAVEL (B)	MAX. WIDTH (A)	LPH Min.	LPH Max.	OAH Min. (D)	OAH Max. (D)	TREAD (E)	
1000	6'	AL100608	6'-0.4375"	3'-11"	7'-3"	6'-7"	8'-2"	7'-2"	8'-10"	4'-6.375"	
		AL100610	6'-0.4375"			8'-3"	9'-9"	8'-10"	10'-6"	4'-6.375"	
		AL100612	6'-0.4375"			9'-9"	11'-5"	10'-6"	12'-1"	4'-6.375"	
	8'	AL100808	7'-8.125"	5'-7"	8'-11"	6'-7"	8'-2"	7'-2"	8'-10"	4'-6.375"	
		AL100810	7'-8.125"			8'-3"	9'-9"	8'-10"	10'-6"	4'-6.375"	
		AL100812	7'-8.125"			9'-9"	11'-5"	10'-6"	12'-1"	4'-6.375"	
	10'	AL101008	9'-3.8125"	7'-3"	10'-7"	6'-7"	8'-2"	7'-2"	8'-10"	4'-6.375"	
		AL101010	9'-3.8125"			8'-3"	9'-9"	8'-10"	10'-6"	4'-6.375"	
		AL101012	9'-3.8125"			9'-9"	11'-5"	10'-6"	12'-1"	4'-6.375"	
	12'	AL101208	10'-11.5"	8'-10"	12'-3"	6'-7"	8'-2"	7'-2"	8'-10"	4'-6.375"	
		AL101210	10'-11.5"			8'-3"	9'-9"	8'-10"	10'-6"	4'-6.375"	
		AL101212	10'-11.5"			9'-9"	11'-5"	10'-6"	12'-1"	4'-6.375"	
15'	AL101508	14'-2.875"	12'-2"	15'-6"	6'-7"	8'-2"	7'-2"	8'-10"	4'-6.375"		
	AL101510	14'-2.875"			8'-3"	9'-9"	8'-10"	10'-6"	4'-6.375"		
	AL101512	14'-2.875"			9'-9"	11'-5"	10'-6"	12'-1"	4'-6.375"		
2000	6'	AL200608	6'-0.4375"	3'-11"	7'-3"	6'-7"	8'-2"	7'-2"	8'-10"	4'-6.375"	
		AL200610	6'-0.4375"			8'-3"	9'-9"	8'-10"	10'-6"	4'-6.375"	
		AL200612	6'-0.4375"			9'-9"	11'-5"	10'-6"	12'-1"	4'-6.375"	
	8'	AL200808	7'-8.125"	5'-7"	8'-11"	6'-7"	8'-2"	7'-2"	8'-10"	4'-6.375"	
		AL200810	7'-8.125"			8'-3"	9'-9"	8'-10"	10'-6"	4'-6.375"	
		AL200812	7'-8.125"			9'-9"	11'-5"	10'-6"	12'-1"	4'-6.375"	
	10'	AL201008	9'-3.125"	7'-3"	10'-7"	6'-7"	8'-2"	7'-2"	8'-10"	4'-6.375"	
		AL201010	9'-3.125"			8'-3"	9'-9"	8'-10"	10'-6"	4'-6.375"	
		AL201012	9'-3.125"			9'-9"	11'-5"	10'-6"	12'-1"	4'-6.375"	
	12'	AL201208	10'-11.5"	8'-10"	12'-3"	6'-7"	8'-2"	7'-2"	8'-10"	4'-6.375"	
		AL201210	10'-11.5"			8'-3"	9'-9"	8'-10"	10'-6"	4'-6.375"	
		AL201212	10'-11.5"			9'-9"	11'-5"	10'-6"	12'-1"	4'-6.375"	
	15'	AL201508	14'-2.875"	12'-2"	15'-6"	6'-7"	8'-2"	7'-2"	8'-10"	4'-6.375"	
		AL201510	14'-2.875"			8'-3"	9'-9"	8'-10"	10'-6"	4'-6.375"	
		AL201512	14'-2.875"			9'-9"	11'-5"	10'-6"	12'-1"	4'-6.375"	
	18'	AL201808	17'-6.25"	15'-5"	18'-9"	6'-7"	8'-2"	7'-2"	8'-10"	4'-6.375"	
		AL201810	17'-6.25"			8'-3"	9'-9"	8'-10"	10'-6"	4'-6.375"	
		AL201812	17'-6.25"			9'-9"	11'-5"	10'-6"	12'-1"	4'-6.375"	
	20'	AL202008	19'-1.9375"	17'-1"	20'-5"	6'-7"	8'-2"	7'-2"	8'-10"	4'-6.375"	
		AL202010	19'-1.9375"			8'-3"	9'-9"	8'-10"	10'-6"	4'-6.375"	
		AL202012	19'-1.9375"			9'-9"	11'-5"	10'-6"	12'-1"	4'-6.375"	
	4000	6'	AL400608	6'-0.4375"	3'-11"	7'-3"	6'-7"	8'-2"	7'-2"	8'-10"	4'-6.375"
			AL400610	6'-0.4375"			8'-3"	9'-9"	8'-10"	10'-6"	4'-6.375"
			AL400612	6'-0.4375"			9'-9"	11'-5"	10'-6"	12'-1"	4'-6.375"
8'		AL400808	7'-8.125"	5'-7"	8'-11"	6'-7"	8'-2"	7'-2"	8'-10"	4'-6.375"	
		AL400810	7'-8.125"			8'-3"	9'-9"	8'-10"	10'-6"	4'-6.375"	
		AL400812	7'-8.125"			9'-9"	11'-5"	10'-6"	12'-1"	4'-6.375"	
10'		AL401008	9'-3.125"	7'-3"	10'-7"	6'-7"	8'-2"	7'-2"	8'-10"	4'-6.375"	
		AL401010	9'-3.125"			8'-3"	9'-9"	8'-10"	10'-6"	4'-6.375"	
		AL401012	9'-3.125"			9'-9"	11'-5"	10'-6"	12'-1"	4'-6.375"	
12'		AL401208	10'-11.5"	8'-10"	12'-3"	6'-7"	8'-2"	7'-2"	8'-10"	4'-6.375"	
		AL401210	10'-11.5"			8'-3"	9'-9"	8'-10"	10'-6"	4'-6.375"	
		AL401212	10'-11.5"			9'-9"	11'-5"	10'-6"	12'-1"	4'-6.375"	
15'		AL401508	14'-2.875"	12'-2"	15'-6"	6'-7"	8'-2"	7'-2"	9'-1"	4'-6.375"	
		AL401510	14'-2.875"			8'-3"	9'-9"	8'-10"	10'-9"	4'-6.375"	
		AL401512	14'-2.875"			9'-9"	11'-5"	10'-6"	12'-5"	4'-6.375"	



Toll Free Tel: 877-830-9803 **Email:** sales@mettrack.com **Web:** www.mettrack.com

MIB002-0718